

Dump Carts 20 m³ - 33 m³

Lateral unloading, For all crops

TBG Range

TBG 200 / TBG 275 / TBG 330








english



GOURDON

TBG RANGE 20 to 33 m³ of volume to load trucks

EQUIPMENT		TBG 200	TBG 275	TBG 330
HITCH 	Drawbar adjustable in height on 3 positions	--	●	●
	Sprung suspension drawbar adjustable in height on 3 positions	●	--	--
	Ø50mm coupling ring bolted on Scharmüller universal plate	●	●	●
	Ø80mm coupling ball bolted on Scharmüller universal plate	○	○	○
	Hydraulic crutch with hand pump	●	●	●
	Rear hitch for road trailer or power generator (braking lines included)	○	○	○
UNDERCARRIAGE 	Heavy-duty tandem axles with connecting rods	--	●	●
	Heavy-duty boggie axles	●	--	--
	Free steering rear axle	○	○	○
	Active steering rear axle	○	○	○
	Hydraulic braking with emergency brake by nitrogen ball	●	●	●
	Mixed hydraulic and air braking	○	○	○
	Air braking	○	○	○
	Tracks system switchable with tyres	○	○	○
	Other set of tyres (consult us)	○	○	○
DUMPING 	Hydraulic elevation and dumping on tractor valves	●	●	●
	PTO-driven elevation and dumping with independent hydraulic circuit	--	○	○
	Anti-tilting double-acting cylinders with automatic action at elevation	●	●	●
	Counterweight opposite to dumping side	●	●	●
BODY 	Conical body with visual level	●	●	●
	Removable extensions : loading height and volume à la carte	●	●	●
	Steel sides and bottom thickness 4mm	●	●	●
	Draining hatch at the bottom of the body	●	●	●
	SSAB Domex® 500 steel tubular chassis thickness 8mm	●	●	●
	Centralized greasing of all cylinders and body pivots	●	●	●
	Double LED lights with protection grid	●	●	●
	Rear bumper Standard 2020	●	●	●
	Lateral orange lights & marker lights Norme 2020	●	●	●
	Bracket and power supply for rear beacon	●	●	●
Toolbox	○	○	○	
CONTROLS 	2 LED floodlights	●	●	●
	2 Wi-Fi cameras with monitor in cabin	○	○	○
	1 extra LED floodlight + 1 extra Wi-Fi camera	○	○	○
	Warning sensor for high voltage lines	○	○	○
	Electronic weighing system by pressure measurement with monitor in cabin	○	○	○
	2 hydraulically driven conveyor belts	○	○	○

● standard ○ option - not available

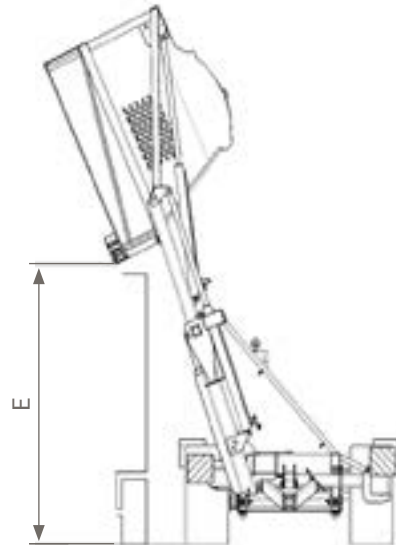
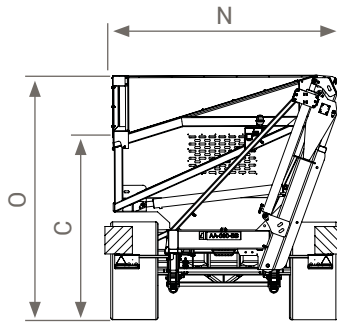
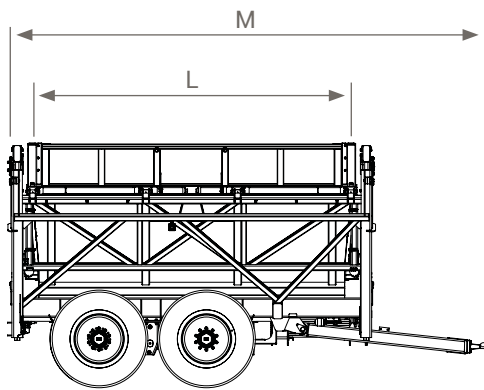


TECHNICAL DATA

Type	Volume m ³	Dumping capacity t	In-use dimensions			Overall dimensions			data nb axles x section (mm) / nb _{holes}	Axles mounting	brakes mm x mm	Tyres
			L mm	C mm	E mm	M mm	N ¹ mm	O mm				
TBG 200	20	10	4800	2480	4300	7120	2550	3860	2x100/10	boggie	400x80	600/50x22,5
TBG 275	27,5	15	5050	2800	4300	7580	2950	3750	2x130/10	tandem	420x180	650/60 R26,5
TBG 330	33	15	5040	2800	4300	7380	3500	3750	2x130/10	tandem	406x120	710/50 R30,5

¹with standard tyres, may vary with tracks

^Cmin. loading height ^Omax. loading height ^Emax. dumping height



Stability at dumping, quick transfer, preserved crops.



Descent of hydraulic cylinders

At the elevation, anti-tilting cylinders operate on the suspension to stiffen it.



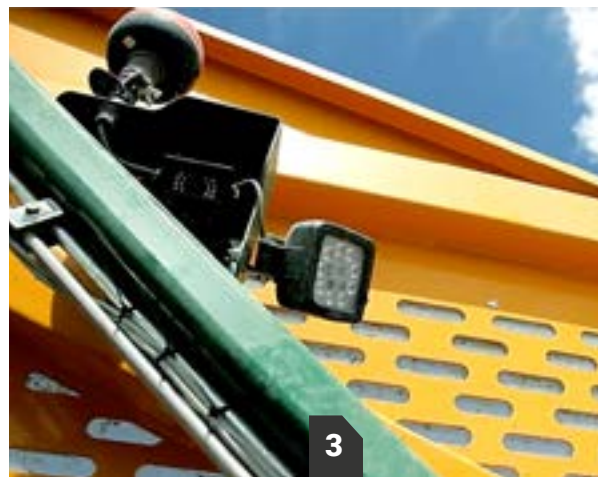
Elevation of the body

Associated to the counterweight opposite to the dumping side, anti-tilting cylinders ensure the dumping stability.



Smooth and efficient dumping

Unload in a very short amount of time, without damaging your crops.





Compliance

Our dump carts are compliant with the European applicable directives and therefore have the EC marking. (European Compliance)

Versatility

Dump carts let you harvest all types of crops year-round.



TBG 200

The handy, compact and versatile version



TBG 330

The highly productive version



- SIGNAGE** | Double LED lights with protection grid.
- CENTRALIZED GREASING** | Easily accessible for a simplified maintenance. Improved durability of the machine.
- REMOVABLE EXTENSIONS** | Adjustment of the volume to crop's density. Loading height adapted to the harvester.
- TRACKS SYSTEM** | Conservation of soils structure. Improved stability in hard conditions.
- CONTROLS** | Floodlights and cameras : Instant monitoring from the cabin.
- WEIGHING SYSTEM** | Onboard weighing for trucks loading.
- CONVEYOR BELTS** | Preservation of the crop's quality. Optimizes the loading of trucks.

The optimized crops logistics : Make profits and respect your soils with the TBG® solution.



Productivity

The harvester does not stop to increase the harvesting speed in the fields.



Versatility

TBG is compatible with all types of products and harvesters (grain, cobs, vegetables, fruits...).



Soil conservation

Remove the harvester's hopper to ease pressure on the fields by using TBGs in tandem. This process limits significantly soil compaction.



Crops conservation

Trucks are loaded in an optimal way, in a very short amount of time, without damaging the crops.



New vision of logistics

Less handling, less storage fees, less time spent on the roads, more safety : crops are forwarded by trucks.

Flow optimization offers a greater flexibility to food-processing plants.

Comparison of a grain or vegetable harvest :

120t

CLASSIC CASE :
1 HARVESTER
+ 3 TOWED TRAILERS

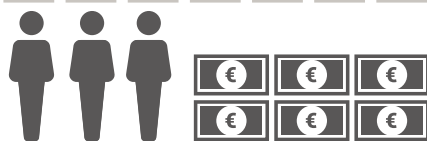
EQUIPMENT NEEDED



FUEL CONSUMED



HUMAN & FINANCIAL INVESTMENT



CLASSIC CASE SUMMARY

PRODUCTIVITY	●○○
PROFITABILITY	●○○
SOIL COMPACTION	●●●
AGRONOMY	●○○

120t

GOURDON® SOLUTION :
1 HARVESTER
+ 1 TOWED DUMP CART
+ 1 TRUCK ON THE FIELDS' EDGE

EQUIPMENT NEEDED



FUEL CONSUMED



HUMAN & FINANCIAL INVESTMENT



GOURDON® TBG SOLUTION SUMMARY

PRODUCTIVITY	●●●
PROFITABILITY	●●●
SOIL COMPACTION	●○○
AGRONOMY	●●●

Turn transport simple.

Specialized in the manufacturing of trailers for more than 40 years, Gourdon SA is a family business which makes the choice to place its expertise at your disposal to offer smart and quality equipment.



RELIABILITY

Rugged and heavy-duty components, optimized structures and Gourdon patented technologies are as many features that guarantee you a lifetime excellence.

SERVICE

An After-Sales service managed by professionals here to advise you. Thanks to your serial number, access the spare parts tool on our website.

INNOVATION

Key technologies developed by Gourdon to serve your productivity and your safety. Mastered in-house design and production.

COMFORT

Technical, ergonomic and optimized solutions to ease the coupling of the trailer, as well as the loading and the securing of the equipment.



Like Mr. Paradis, improve the safety and productivity of your sites while respecting your soils.



— Philippe PARADIS, *Director of a contracting company*

« We have acquired our first TBG 330 in 2016. Results being very satisfying, we decided, in 2018, to order a second one, this time equipped with tracks. Today, we own a fleet of seven multibrand dump carts between France and Canada.

Our choice was made on Gourdon's TBG® because this one offers more elaborated features than other comparable machines on the market.

These features are targeting our efficiency requirements.

First of all, the TBG® is equipped with a **weighing system** and **conveyor belts** letting you load the trucks at their optimum weight, and in a more accurate way. Indeed, you can operate both conveyor belts when you start loading, and then only use the front or rear one at the end of loading.

Filling of lorries being much more homogeneous, truck drivers do not climb on them anymore.

We have then solved a major safety issue for our employees.

Moreover, the TBG® is also equipped with a **high-voltage lines sensor** which locks the valves when the dump cart is standing nearby.

Lastly, we are today using our dump carts mainly on peas, green beans, sweet corn, seed corn and grain corn harvest sites, for our industrial food-industry customers. We therefore must comply with regular supply duties on sites with high flows.

The TBG® makes us improve the productivity of our harvest sites while making transportation of crops towards the loading areas more reliable.

The TBG® on tracks is highly appreciated by our customers because soil compaction is significantly reduced, and this even more when we go through rainy periods. »



GOURDON FRÈRES, PLC with a share capital of 310 000€

2693 route de Geaune, FR – 40800 AIRE SUR L'ADOUR

SIREN : 340 806 439 – RCS MONT DE MARSAN

Phone: +33 (0) 5 58 71 65 83

Mail: contact@remorques-gourdon.com

Web: www.remorques-gourdon.com



Find us on :

