

Low bed trailers >3,5t <8t

Air braking

PE / PE RD ranges

PE 6000 / PE 8000 / PE 80 RD







english



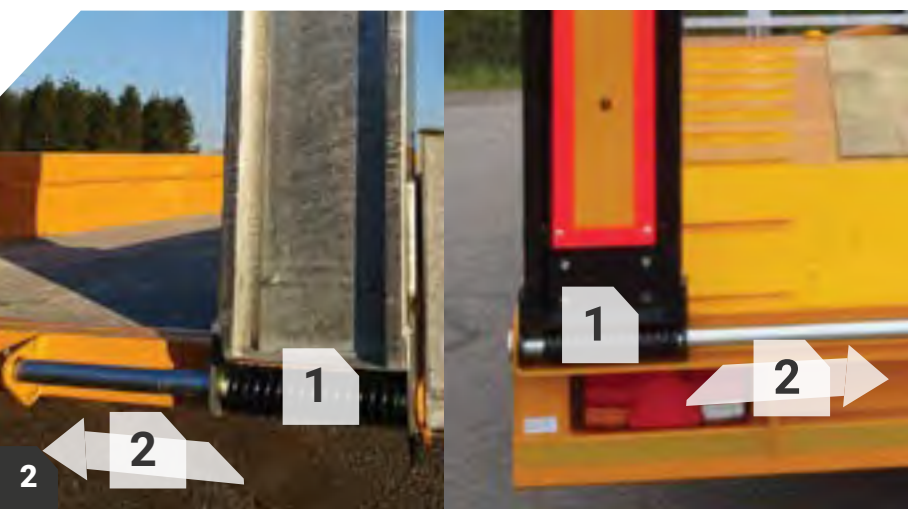
 **GOURDON**

PE & PERD RANGES

Low bed and cutback trailers of 6t and 8t.

EQUIPMENT		PE 6000	PE 8000	PE 80 RD
HITCH 	Hitch adjustable in height with BNA ring	●	●	●
	DIN 50x115 ring	○	○	○
	DIN 40x100 ring	○	○	○
	Front crutch with resting sole	●	●	●
UNDER CARRIAGE 	EC homologation	●	●	●
	Heavy-duty tandem axles	●	●	●
	Parabolic suspension leaves	●	●	●
	Air braking with EBS system	●	●	●
	Spare wheel	○	○	○
BODY / LIGHTING 	One-piece robust framework	●	●	●
	On-demand RAL color (special painting applied in factory)	○	○	○
	Floor made of treated solid wood	●	●	-
	Mixed floor made of anti-slip steel and exotic wood	-	-	●
	One-piece mudguards made of durable steel	●	●	-
	Waterproof document case	○	○	○
	Set of electric wires for 15-pin plug protected into chassis	●	●	●
	24V required lighting	●	●	●
	LED lights	●	●	●
LOADING 	Rear ramps assisted by springs	●	●	●
	Rear stabilization crutches	●	●	●
	Wood + steel ramps , adjustable in spacing	●	●	●
	Aluminium ramps	○	○	○
	Low height trailer with wheels outside of the bed	●	●	-
	0,60m cutback for a smooth loading	-	-	●
	4 stowage rings (PE), 8 stowage rings (PE RD)	●	●	●
	Kit of 2 stowage chains with hooks and tensioners	○	○	○

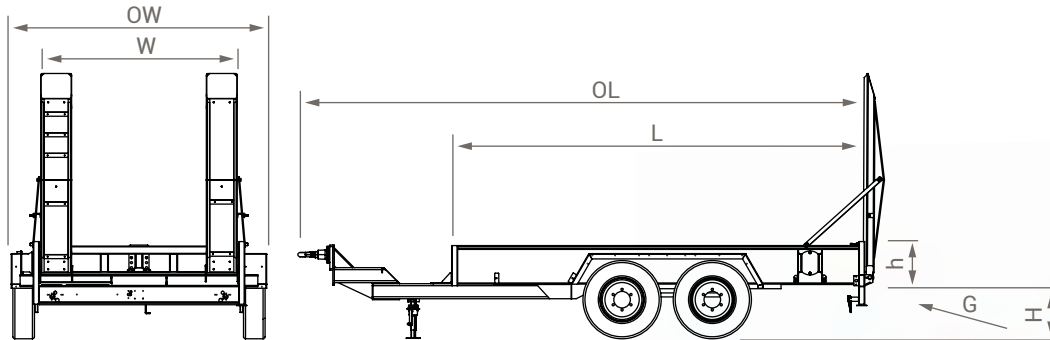
● standard ○ option - not available



TECHNICAL DATA

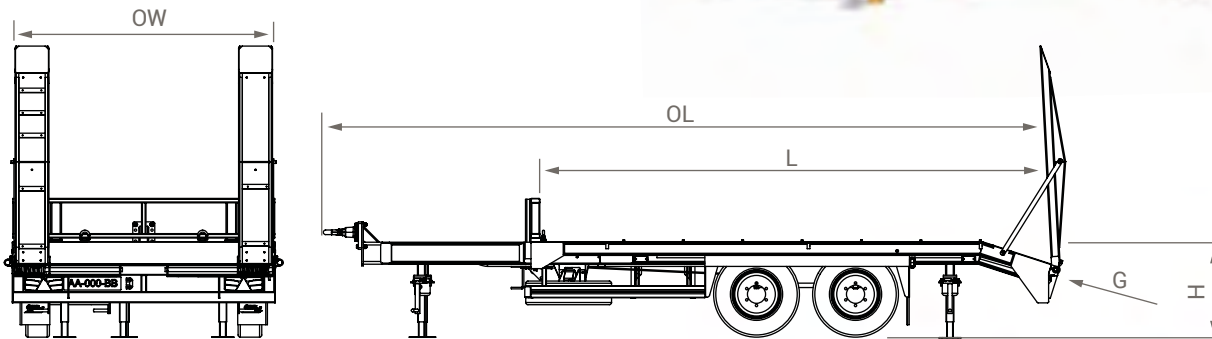
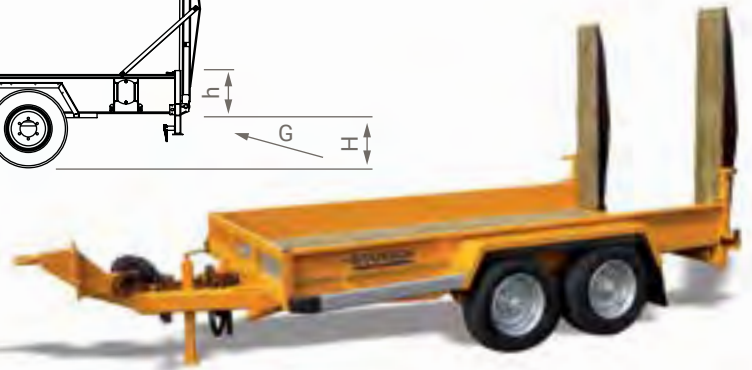
Type	GW ¹ kg	PL ² kg	In-use dimensions				Overall dimensions		Coupling height		Ramps				Simple tyres
			L mm	W mm	H mm	h mm	OL mm	OW mm	mini mm	maxi mm	length mm	width mm	min. spacing mm	slope G %	
PE 6000	6000	4240	4100	1990	640	300	5860	2550	600	820	2000	300	580	18	215/75R17,5
PE 8000	8000	6100	4100	1990	640	300	5860	2550	600	820	2000	300	580	18	215/75R17,5
PE 80 RD	8880	6480	4600	2400	840	-	6670	2400	640	970	2000	300	460	16	215/75R17,5

¹Gross weight ² Payload



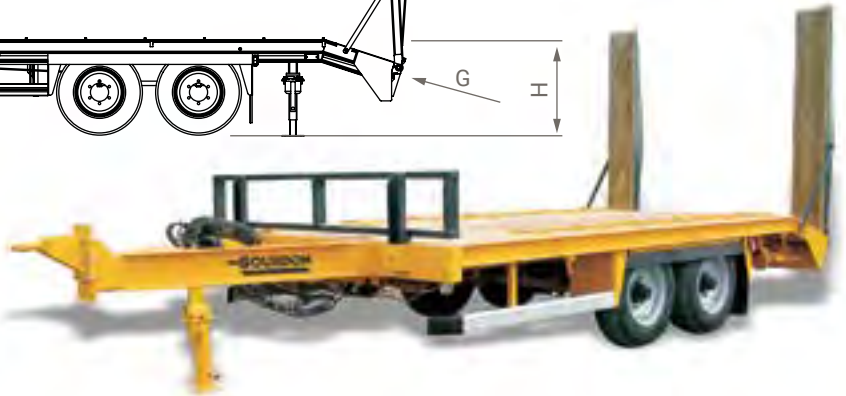
PE Range

Low bed trailers with wheels outside of the bed



PE RD Range

Cutback low bed trailer with wheels under the bed



- RAMPS**
 - 1 assisted by springs lifting assistance + fall brake
 - 2 adjustable in spacing
- DRAWBAR** On plate, adjustable in height
- PE 80 RD** Cutback Stabilization crutches

Turn transport simple.

Specialized in the manufacturing of trailers for more than 40 years, Gourdon SA is a family business which makes the choice to place its expertise at your disposal to offer smart and quality equipment.



RELIABILITY

Rugged and heavy-duty components, optimized structures and Gourdon patented technologies are as many features that guarantee you a lifetime excellence.

SERVICE

An after-sales service managed by professionals here to advise you. Thanks to your serial number, access the spare parts tool on our website.

INNOVATION

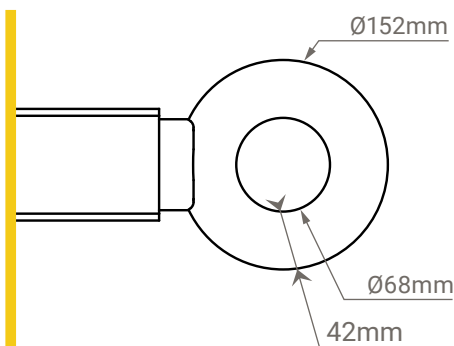
Key technologies developed by Gourdon to serve your productivity and your safety. Mastered in-house design and production.

COMFORT

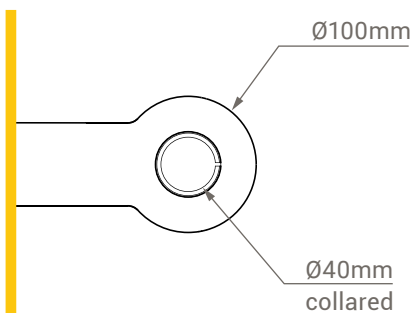
Technical, ergonomic and optimized solutions to ease the coupling of the trailer, as well as the loading and the securing of the equipment.



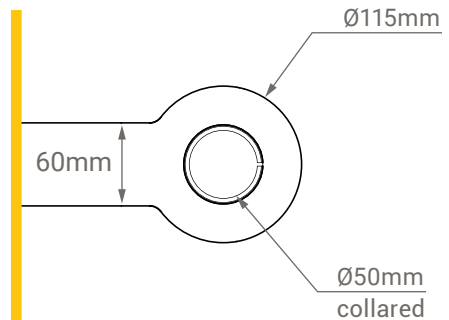
At the order, choose the right hitch fitting with your machinery park.



BNA ring
Ø68 x 42
for MG hook



DIN 40 ring*
Ø40 x 100
for Rockinger hook
* up to PEB 111



DIN 50 ring
Ø50 x 115
for Rockinger hook

GOURDON / brochure_PE_202002. The technical characteristics and the engravings are given as an indication, without obligation on our part and are therefore subject to change without notice. Non-contractual photo. Subject to typographical errors.

GOURDON FRÈRES, PLC with a share capital of 310 000€
2693 route de Geaune, FR – 40800 AIRE SUR L'ADOUR SIREN :
340 806 439 – RCS MONT DE MARSAN
Phone: +33 (0) 5 58 71 65 83
Mail: contact@remorques-gourdon.com
Web: www.remorques-gourdon.com



Find us on :

